

FLEX-KLEEN iSERIES CARTRIDGE DUST COLLECTORS

QUICK-SHIP MODULAR DESIGN THAT SCALES TO YOUR PROCESS NEEDS SUPERIOR FLOW IN A COMPACT DESIGN THAT LOWERS FILTRATION COSTS

CECO Environmental is a leading environmentally focused, diversified industrial company whose solutions protect people, the environment, and industrial equipment across the globe, serving a broad landscape of industrial air, industrial water and energy transition markets. Western Air Ducts was acquired by CECO Environmental in 2022 and is now part of the CECO family of brands.

CECO Flex-Kleen, founded in 1959, is one of the world's leading suppliers of dry dust collector systems. Our extensive experience and knowledge is incorporated into every dust collector, resulting in the highest reliability, performance, and quality. Western Air Ducts is pleased to be able to offer this expanded product selection to our customers.

The latest Flex-Kleen iSeries Cartridge Dust Collectors have a modular design with a compact footprint and are available for quick delivery. They can be seamlessly paired with the InteliAir Intelligent Control System (sold separately) which senses usage load and adjusts the dampers and fan set to provide energy savings while maintaining minimum air velocities to maintain adequate extraction.



MARKETS AND APPLICATIONS

- Chemicals
- Metal working
- Wood working
- Minerals
- Composites
- Carbon Black
- Plastics
- Electronics
- Pharmaceutical
- Food and Beverage

FEATURES	BENEFITS
Silencer and Atex Rated Explosion Vent Panel as Standard	Better industrial hygiene (low noise) and safety. Versatile for a variety of end applications.
Modular Design	2, 4, 6 or 8 filter configurations can be combined to meet current and future flow rate needs. Lower initial costs.
Horizontal Filter Configuration	Faster filter change-outs as compared to vertical filter designs = savings in time and money.
High flow filter cartridges with low pressure drop	Efficient pulsing and/or replacing of cartridges.
InteliAir Air Control System (sold separately)	Manages airflow only to active equipment and sources. Energy cost savings greater than 40%.
Rapid Delivery Option	In stock and ready to ship in 5 business days or less.

DUST COLLECTOR SPECIFICATIONS

ITEM	DESCRIPTION				
Product name	iSeries Cartridge Dust Collector Reverse jet clean type				
Model	i2	i4	i6	i8	
Dimensions in mm (depth x width x ht.)	1753 x 1114 x 2054	1753 x 1114 x 2520	2121 x 1114 x 3268	2121 x 1114 x 3734	
Construction material	Mild Steel	Mild Steel	Mild Steel	Mild Steel	
Painting color	Gray Aluminum Color code: RAL9007	Gray Aluminum Color code: RAL9007	Gray Aluminum Color code: RAL9007	Gray Aluminum Color code: RAL9007	
Sand blasting	Std	Std	Std	Std	
Powder coating	Std	Std	Std	Std	
STANDARD FEATURES & OPTIONS					
Filter Cartridges					
Total filter cartridges	Std	2	4	6	8
Filter media type	Std	Nanofibre flame retardant	Nanofibre flame retardant	Nanofibre flame retardant	Nanofibre flame retardant
Total filter area (NANO AS FR Media)		64 Sq. M	128 Sq. M	192 Sq. M	256 Sq. M
Filtration velocity		0.63 M/Min	0.63 M/Min	0.63 M/Min	0.63 M/Min
Total airflow		2400 M3/hr	4800 M3/hr	7200 M3/hr	9600 M3/hr
Filter Chamber					
Cartridge filter chamber	Std	Mild steel: 4mm thick	Mild steel: 4mm thick	Mild steel: 4mm thick	Mild steel: 4mm thick
Cartridge filter	Std	Size: 352mm*L1000mm	Size: 352mm*L1000mm	Size: 352mm*L1000mm	Size: 352mm*L1000mm
Cartridge install yoke	Std	SS 304	SS 304	SS 304	SS 304
Cartridge access door	Std	c/w hand knobs	c/w hand knobs	c/w hand knobs	c/w hand knobs
Dirty air inlet	Std	Std	Std	Std	Std
Inlet internal baffles	Std	Std	Std	Std	Std
Filter Clean System					
Pulse valve	Std	1" Diaphragm valve c/w solenoid valve, 24VDC	1" Diaphragm valve c/w solenoid valve, 24VDC	1" Diaphragm valve c/w solenoid valve, 24VDC	1" Diaphragm valve c/w solenoid valve, 24VDC
Blow pipe	Std	c/w nozzle	c/w nozzle	c/w nozzle	c/w nozzle
Compressed air manifold	Std	Steel pipe	Steel pipe	Steel pipe	Steel pipe
Sequence controller	Std	Timer board, Output:24VDC	Timer board, Output:24VDC	Timer board, Output:24VDC	Timer board, Output:24VDC
Pulse on demand	Std				
Dust Discharge System					
Dust hopper	Std	Mild steel: 4mm	Mild steel: 4mm	Mild steel: 4mm	Mild steel: 4mm
Dust bin	Std	Steel dust bin (110L) c/w castors & window	Steel dust bin (110L) c/w castors & window	Steel dust bin (140L) c/w castors & window	Steel dust bin (140L) c/w castors & window

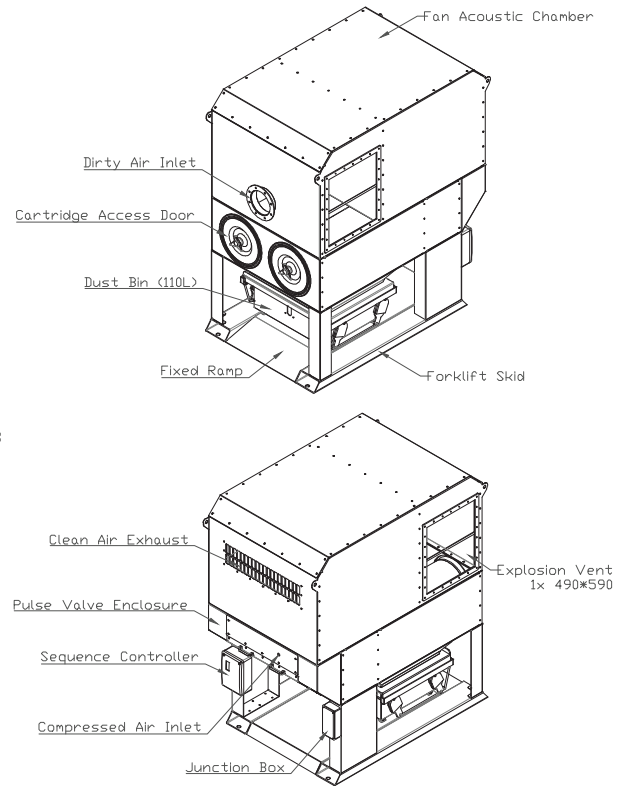
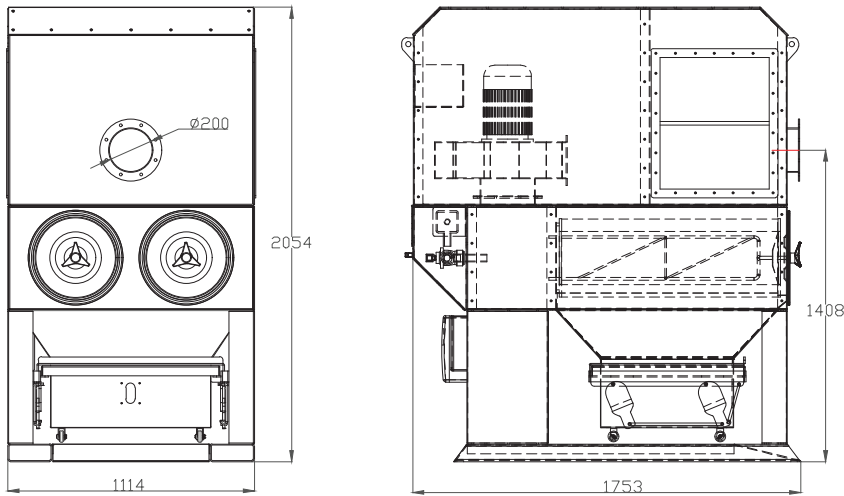
FLEX-KLEEN ISERIES CARTRIDGE DUST COLLECTORS

DUST COLLECTOR SPECIFICATIONS

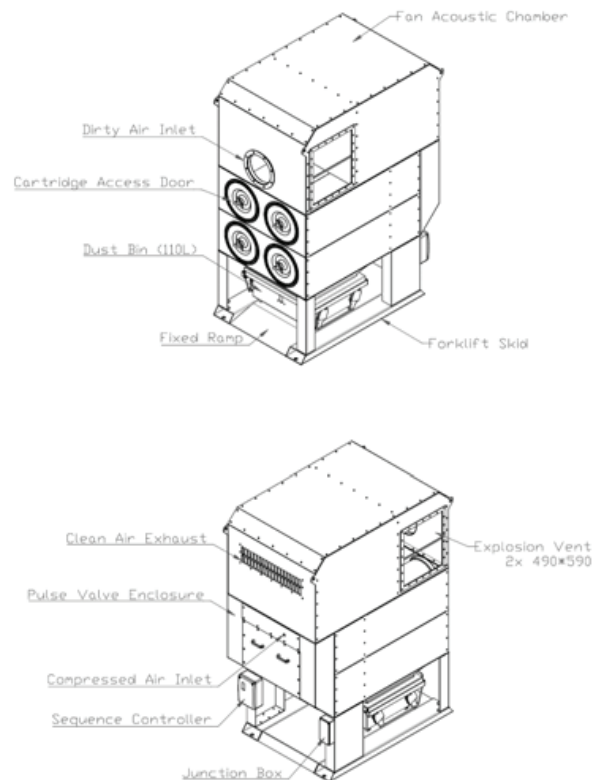
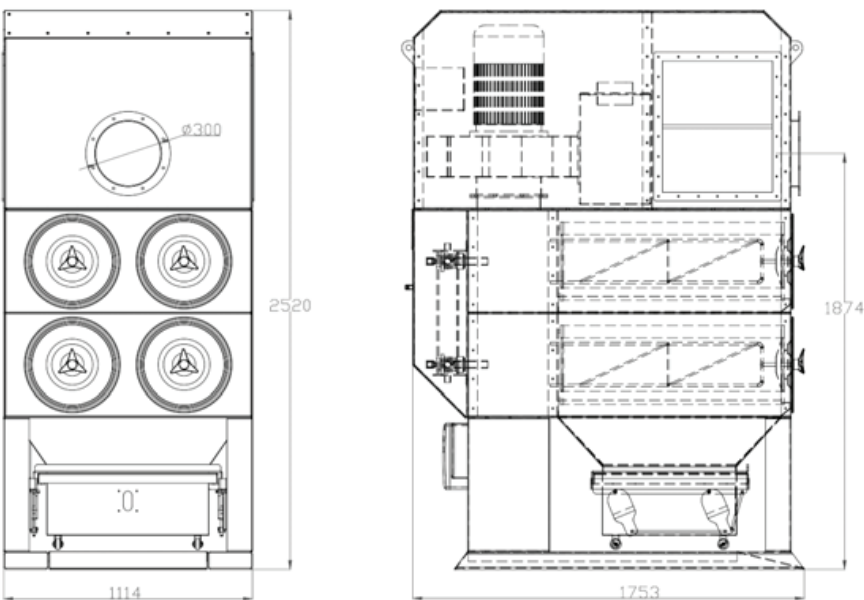
ITEM		DESCRIPTION			
Product name		iSeries Cartridge Dust Collector Reverse jet clean type	iSeries Cartridge Dust Collector Reverse jet clean type	iSeries Cartridge Dust Collector Reverse jet clean type	iSeries Cartridge Dust Collector Reverse jet clean type
Model		i2	i4	i6	i8
Fan & Acoustic Control					
Centrifugal fan	Std	Duty: 2400 m3/hr @ 3.5kpa 5.5kw 415v 3ph 60hz UL Brand: WEG	Duty: 4800 m3/hr @ 3.1kpa 7.5kw 415v 3ph 50hz UL Brand: WEG	Duty: 7200m3/hr @ 3.4kpa 11kw 415v 3ph 50hz UL Brand: WEG	Duty: 9600 m3/hr @ 3.0kpa 15kw 415v 3ph 50hz UL Brand: WEG
Fan chamber	Std	Std	Std	Std	Std
Accessories					
Supporting legs	Std	Mild steel: 4mm	Mild steel: 4mm	Mild steel: 4mm	Mild steel: 4mm
Forklift skid mount base	Std	Std	Std	Std	Std
Explosion vent Panel	Std	Std	Std	Std	Std
Differential pressure gauge	Std	Range: 0~3kpa (0.4 psi)	Range: 0~3kpa (0.4 psi)	Range: 0~3kpa (0.4 psi)	Range: 0~3kpa (0.4 psi)
Compressed air regulator	Std	c/w pressure gauge	c/w pressure gauge	c/w pressure gauge	c/w pressure gauge
Air manifold auto drain valve	Std	Std	Std	Std	Std
Pulse valve wiring and bonding	Std	Std	Std	Std	Std
Pulse valve enclosure	Std	Std	Std	Std	Std
Electrical junction box	Std	Std	Std	Std	Std
Fastening bolts & nuts	Std	SS304	SS304	SS304	SS304
Fan Controller					
Control cabinet	Std	Control to start/stop fan Fan starter type: DOL / Star delta Control to start/stop pulse jet clean Emergency Stop	Control to start/stop fan Fan starter type: Star delta Control to start/stop pulse jet clean Emergency Stop	Control to start/stop fan Fan starter type: Star delta Control to start/stop pulse jet clean Emergency Stop	Control to start/stop fan Fan starter type: Star delta Control to start/stop pulse jet clean Emergency Stop

FLEX-KLEEN iSERIES CARTRIDGE DUST COLLECTORS

i2 MODEL DRAWING

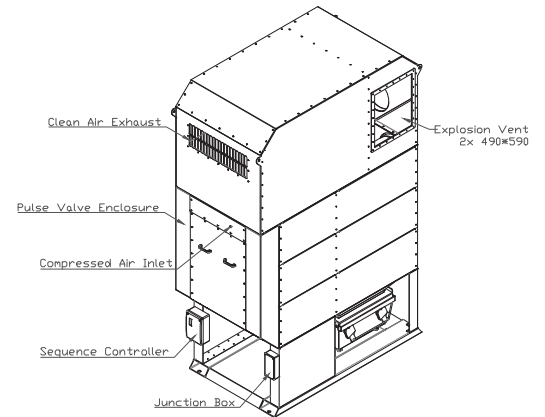
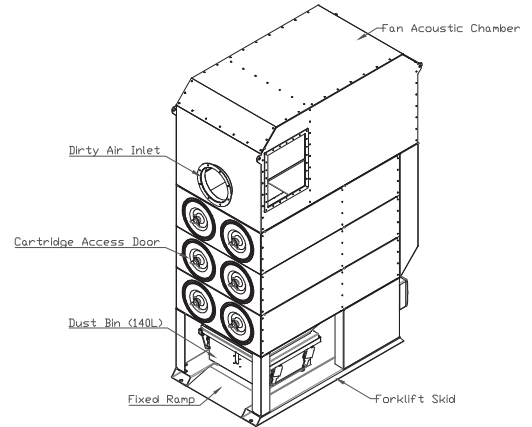
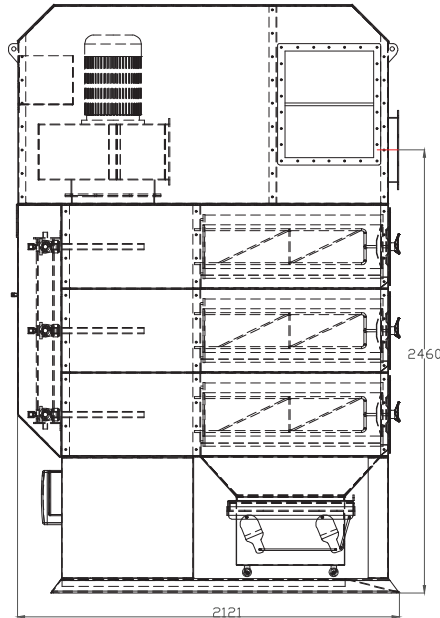
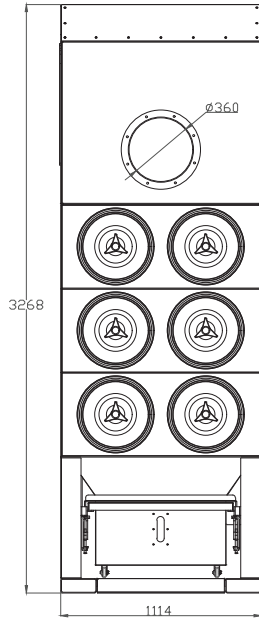


i4 MODEL DRAWING

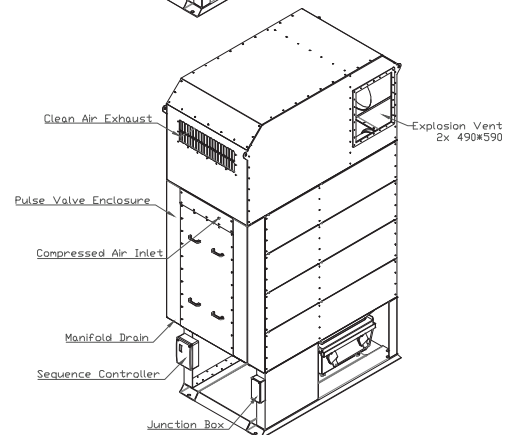
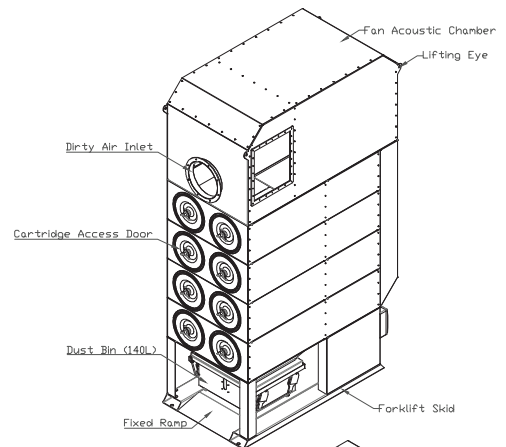
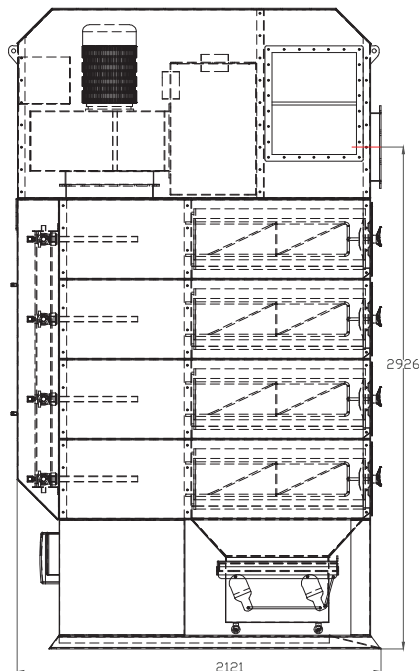
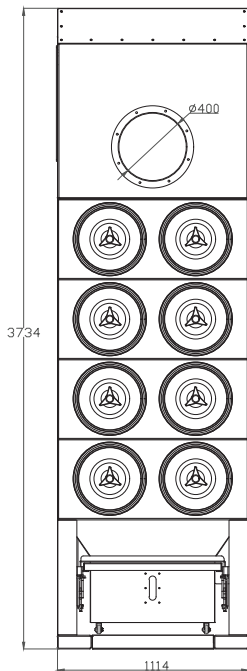


FLEX-KLEEN iSERIES CARTRIDGE DUST COLLECTORS

i6 MODEL DRAWING

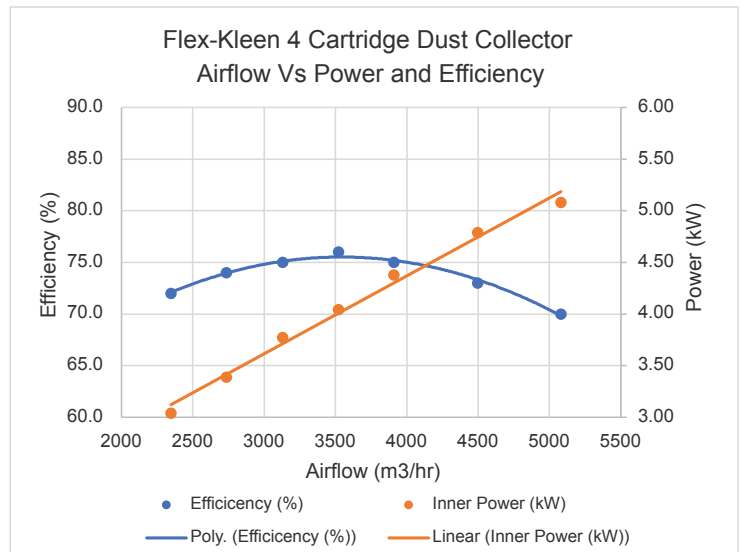
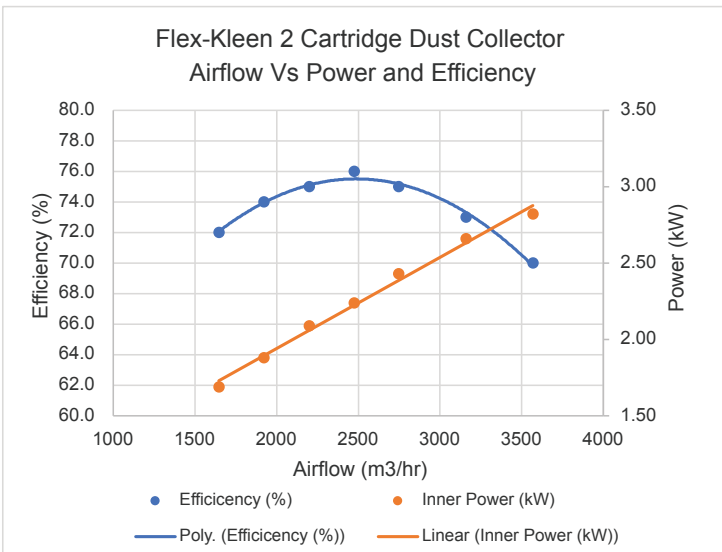
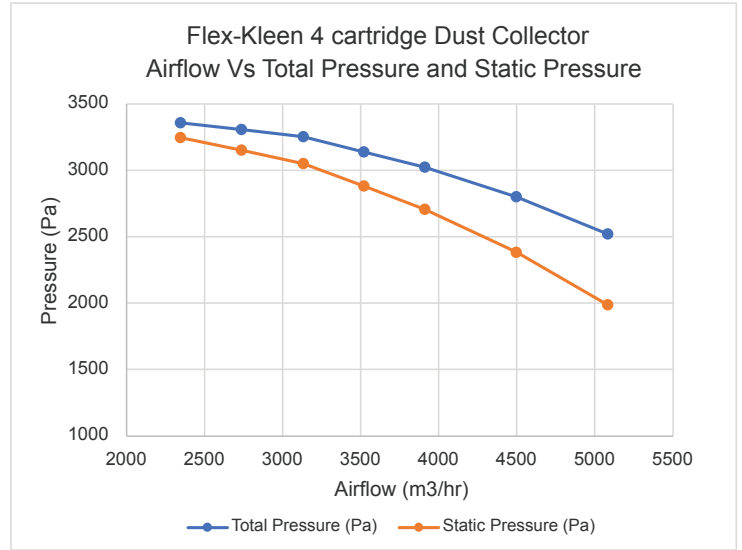
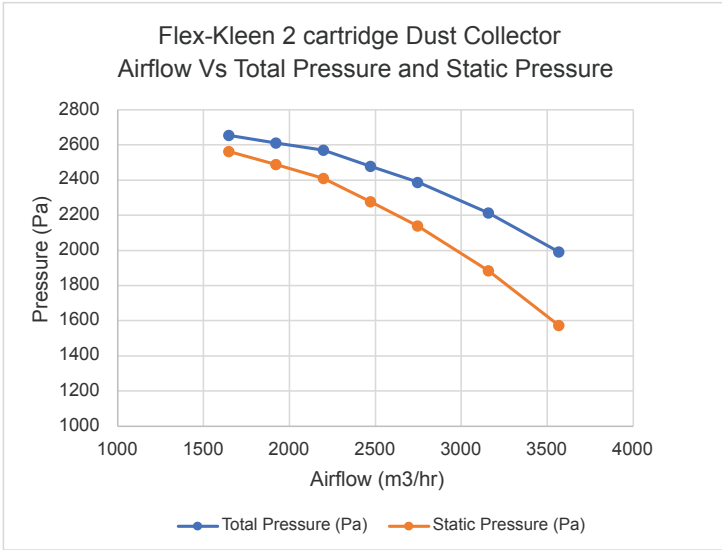


i8 MODEL DRAWING



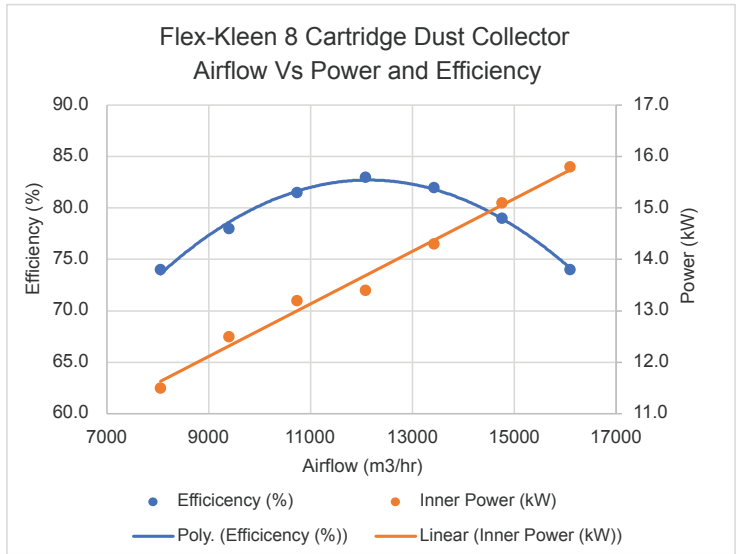
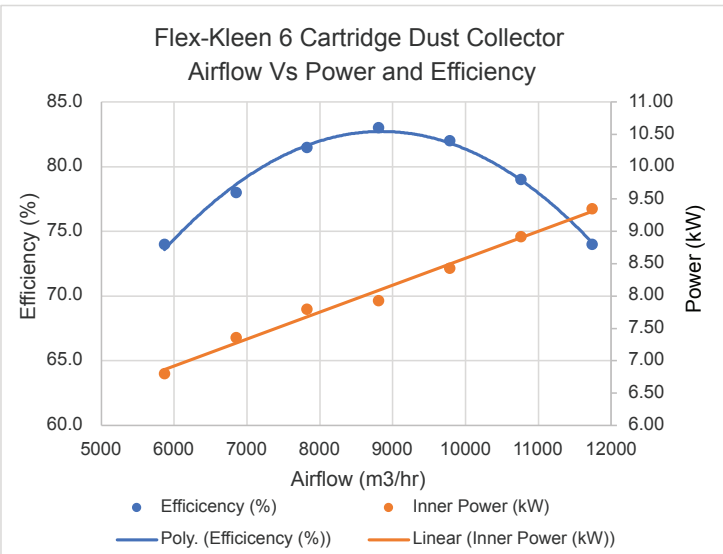
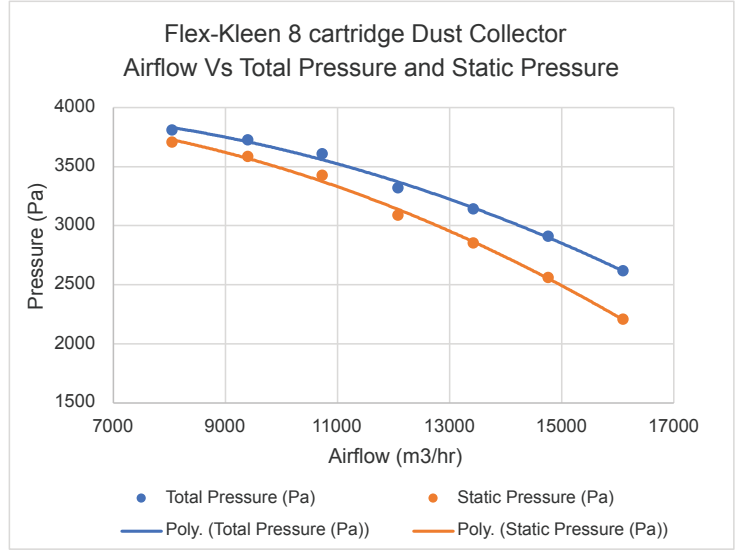
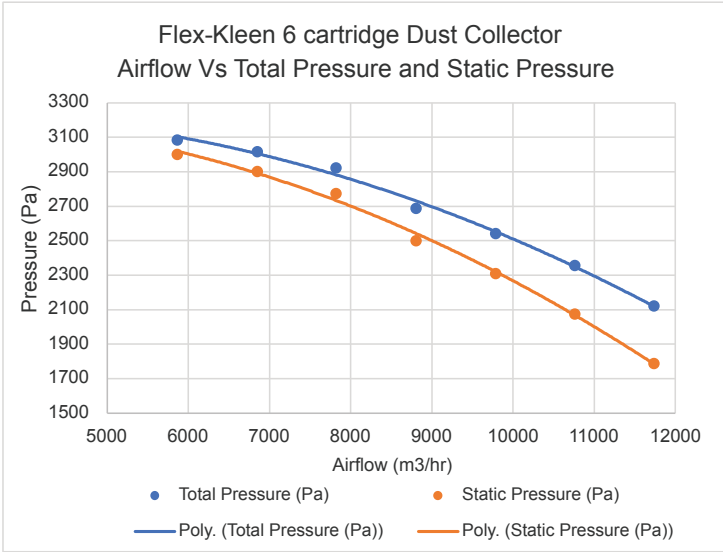
i2 PERFORMANCE DATA

i4 PERFORMANCE DATA



i6 PERFORMANCE DATA

i8 PERFORMANCE DATA



WESTERN AIR DUCT is a CECO Environmental brand based in the UK that offers duct, dust, and fume extraction solutions, as well as Inteliair energy saving solutions and COSHH LEV inspections.

CECO ENVIRONMENTAL is a leading environmentally focused, diversified industrial company whose solutions protect people, the environment, and industrial equipment across the globe, serving a broad landscape of industrial air, industrial water and energy transition markets. It is listed in NASDAQ (ticker symbol: CECO).



Phone: +44 1761 416700
Email: sales@wad.co.uk
westernairducts.co.uk

CECO Environmental
cecoenviro.com
info@OneCeco.com

Disclaimer: The data and information contained in these data sheets are representative; the ratings supplied are suggested as guidelines and should only be used for evaluating your specific application. When in doubt, contact CECO Environmental for a full review. The information contained in these data sheets should not be considered a warranty, expressed or implied, including, but not limited to, a warranty of merchantability or fitness for a particular purpose. In no event shall CECO Environmental be liable for any incidental or consequential damages resulting from the use, misuse or inability to use the product. This exclusion applies regardless of whether such damages are sought based on breach of warranty, breach of contract, negligence, strict liability in tort, or any other legal theory.